

Micro-PULSER – efficient precipitation of high resistivity dust



The Micro-PULSER has been proven to be highly efficient in removing high resistance dust.

The Micro-PULSER has been developed in close collaboration with ESP manufacturers and with a focus on processes which produce high resistivity flue gases. The Micro-PULSER is a complete pulse generation system; base voltage and high voltage pulse integrated in one unit.

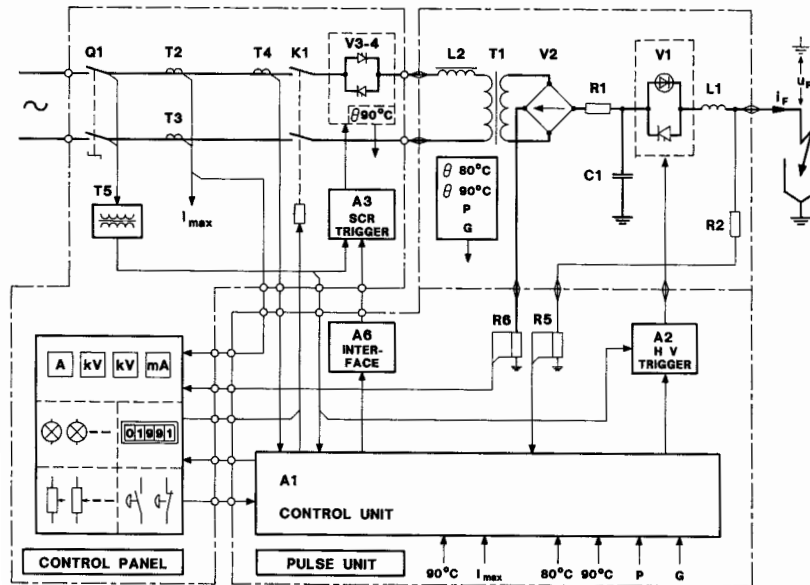
Micropulse technology offers considerable advantages; lower pollution discharge, energy saving and reduced precipitator dimensions. The Micro-PULSER supplies the precipitator with groups of 2-8 short pulses, modulated on a base voltage, which are automatically adjusted to the corona onset level. The short pulses make it possible to considerably raise the peak voltage above the normal flash-over voltage, which gives better distribution across the electrodes, minimised back corona at the collector electrodes, and higher charging and faster collection of dust particles.

Main features

- Very low pollution discharge, particularly with dust of high resistivity, due to reasons such as low back corona and high charge on the dust particles.
- Good overall economy through low energy consumption and good reliability

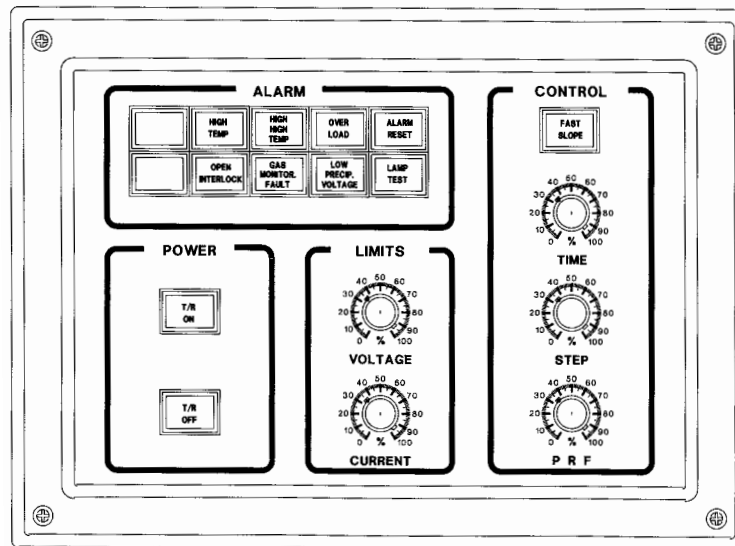


Principle diagram



- | | | | |
|----|------------------|----|---------------------|
| T1 | HV Transformer | L2 | Choke |
| C1 | Storage capacity | V1 | HV Thyristor switch |
| L1 | Inductance | V2 | Bridge rectifier |

Control panel



Technical data

Primary voltage	220-660 V, 1 phase, 50/60 Hz	Degree of protection	HV unit: IP 65
Secondary voltage			Control unit: IP 55
Base	self-setting < 65 kV	Dimensions TR unit	2420 x 1630 x 1220 mm
Pulse	adjustable < 40 kV	Weight TR unit	2900 kg
Base + pulse	Max 100 kV		

Kraftelektronik AB
P.O. Box 2102
S-445 02 Surte
Sweden



Phone +46 31 97 97 00
Fax +46 31 97 97 97
reception@kraftelektronik.se
www.kraftelektronik.se